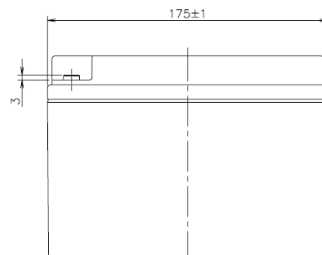
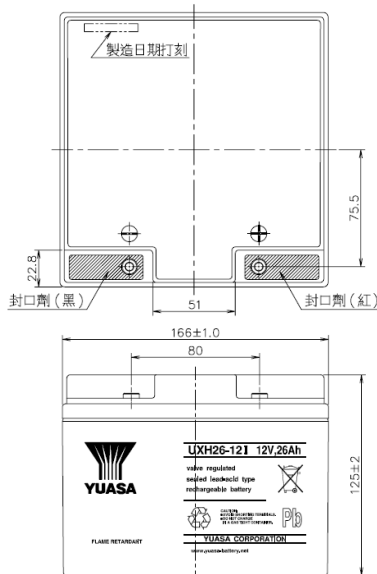




閥調式鉛酸蓄電池(VRLA)
 Valve Regulated Lead Acid Battery

UXH26-12I

尺寸 DIMENSION



規範 Specification

- 公稱電壓 Nominal Voltage : 12V
- 操作溫度範圍 Operating Temperature Range
 - 放電 Discharging -15°C to 45°C
 - 充電 Charging -15°C to 45°C
 - 放置 Storage -15°C to 45°C
- 尺寸 Dimension
 - 長度 Length : 175±1mm
 - 寬度 Width : 166±1mm
 - 高度 Case Height : 125±2mm
 - 總高 Overall Height : 125±2mm
- 期待浮充壽命 Expected float use life (25°C) : 10 years
- 重量 Weight (約 Approx.) : 8.3 kg
- 容易保養 Easy Maintenance
 - 不會洩漏電解液 No electrolyte leakage
 - 確保操作上安全性 Ensure safe and efficient operation
- 公稱容量 Nominal Capacity : 26AH / 20HR (25°C)
- 電槽材質 Container Material :
 - 難燃ABS Flame Retardant ABS · 難燃等級Flame class : UL94V0
 - 氧氣指數 Oxygen index : 28.0% LOI
- 內部抵抗 Internal Resistance(Approx.) : 約 8.4 mΩ
- 最大充電電流 Max. Charge current : 6.5A
- 最大連續放電電流
 - Max. Continuous discharge current : 78A
- 用途 Applications :
 - UPS 不斷電系統、電信、緊急照明、警報系統、儀器、太陽能發電系統
 - UPS(Uninterruptible Power Supply) · Telecommunications · Emergency lighting · Alarm systems · Instrumentation · Solar powered systems
- 5秒最大放電電流
 - Max. Discharge current in 5 seconds : 330A
- 浮動充電 Float Charging : 13.65±0.15V (25°C)
- 端子 Terminal :
 - 極柱端子Top terminal : 螺絲式 Bolt (M5)

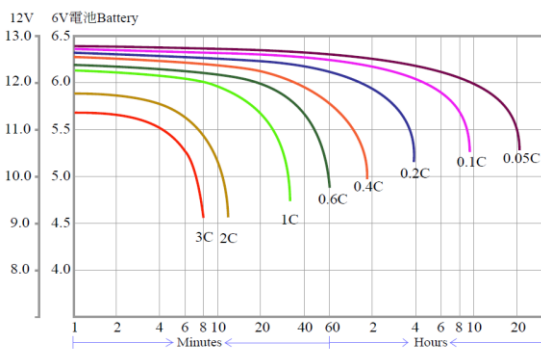
UXH26-12I 性能規格 PERFORMANCE SPECIFICATION : 安培 Amperes and 瓦特 Watts at 25 °C (77 °F)

| F.V. | TIME | 5M | 10M | 15M | 20M | 30M | 45M | 1H | 2H | 3H | 4H | 5H | 8H | 10H | 20H |
|--------|--------|-------|------|------|------|------|------|------|------|------|------|------|------|------|------|
| | 10.80V | W | 909 | 690 | 538 | 440 | 329 | 242 | 192 | 106 | 74.0 | 59.2 | 50.3 | 32.1 | 26.5 |
| | A | 81.0 | 60.0 | 46.0 | 38.0 | 28.3 | 20.7 | 16.3 | 8.9 | 6.17 | 4.94 | 4.19 | 2.67 | 2.20 | 1.22 |
| 10.50V | W | 980 | 733 | 559 | 456 | 339 | 247 | 195 | 107 | 74.6 | 59.7 | 50.7 | 32.3 | 26.7 | 14.4 |
| | A | 89.0 | 65.0 | 48.0 | 39.5 | 29.2 | 21.2 | 16.6 | 9.0 | 6.23 | 4.99 | 4.24 | 2.69 | 2.22 | 1.30 |
| 10.20V | W | 1030 | 750 | 568 | 461 | 342 | 250 | 197 | 108 | 75.1 | 60.1 | 51.0 | 32.5 | 26.9 | 14.5 |
| | A | 94.0 | 67.0 | 49.0 | 40.1 | 29.6 | 21.4 | 16.7 | 9.1 | 6.25 | 5.00 | 4.25 | 2.70 | 2.23 | 1.31 |
| 10.02V | W | 1048 | 753 | 569 | 462 | 342 | 250 | 197 | 108 | 75.4 | 60.3 | 51.2 | 32.6 | 27.0 | 14.6 |
| | A | 96.0 | 67.5 | 49.2 | 40.2 | 29.7 | 21.5 | 16.7 | 9.12 | 6.27 | 5.02 | 4.27 | 2.71 | 2.24 | 1.32 |
| 9.60V | W | 1100 | 764 | 574 | 466 | 345 | 251 | 197 | 109 | 76.3 | 61.0 | 51.8 | 33.1 | 27.4 | 14.8 |
| | A | 103.0 | 69.0 | 50.0 | 40.7 | 29.9 | 21.6 | 16.8 | 9.2 | 6.36 | 5.08 | 4.32 | 2.75 | 2.27 | 1.33 |

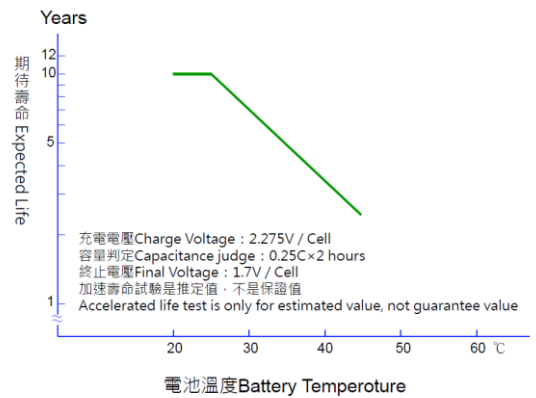
特性 Characteristics

放電特性 DISCHARGE CHARACTERISTICS

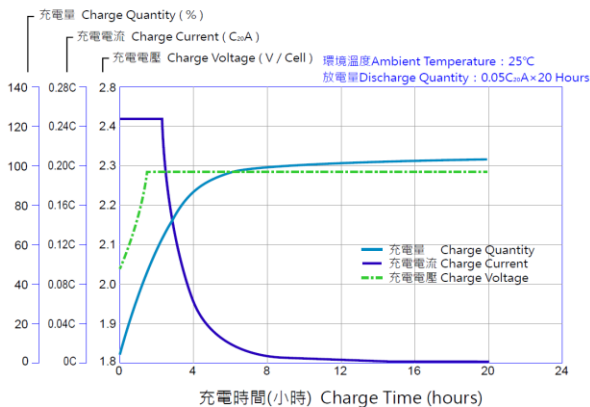
放電曲線 Discharge Characteristics Curves at 25°C



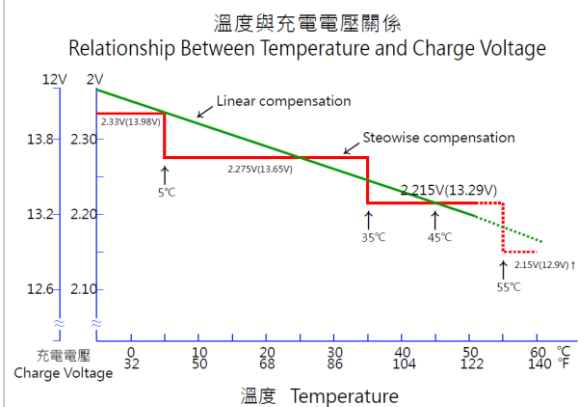
浮充期待壽命 Float Service Life



充電特性 CHARGE CHARACTERISTICS



充電電壓 CHARGE VOLTAGE



臺灣湯淺電池股份有限公司 新北市新莊區福營路 227 巷 11 號 TEL:(02)2901-8261 FAX:(02)2903-9626
 TAIWAN YUASA BATTERY CO.,LTD No.11, Ln. 227, Fuying Rd., Xinzhuang Dist., New Taipei City <http://www.yuasa.com.tw/>